

LIMO50-F200-DL980-S2048

High Power Diode Laser



product similar to image

Your product benefits:

- Plug and play fiber connector
- High e/o efficiency
- Hermetically sealed housing
- 100% emitter and fiber incoming inspection
- 100% laser outgoing inspection

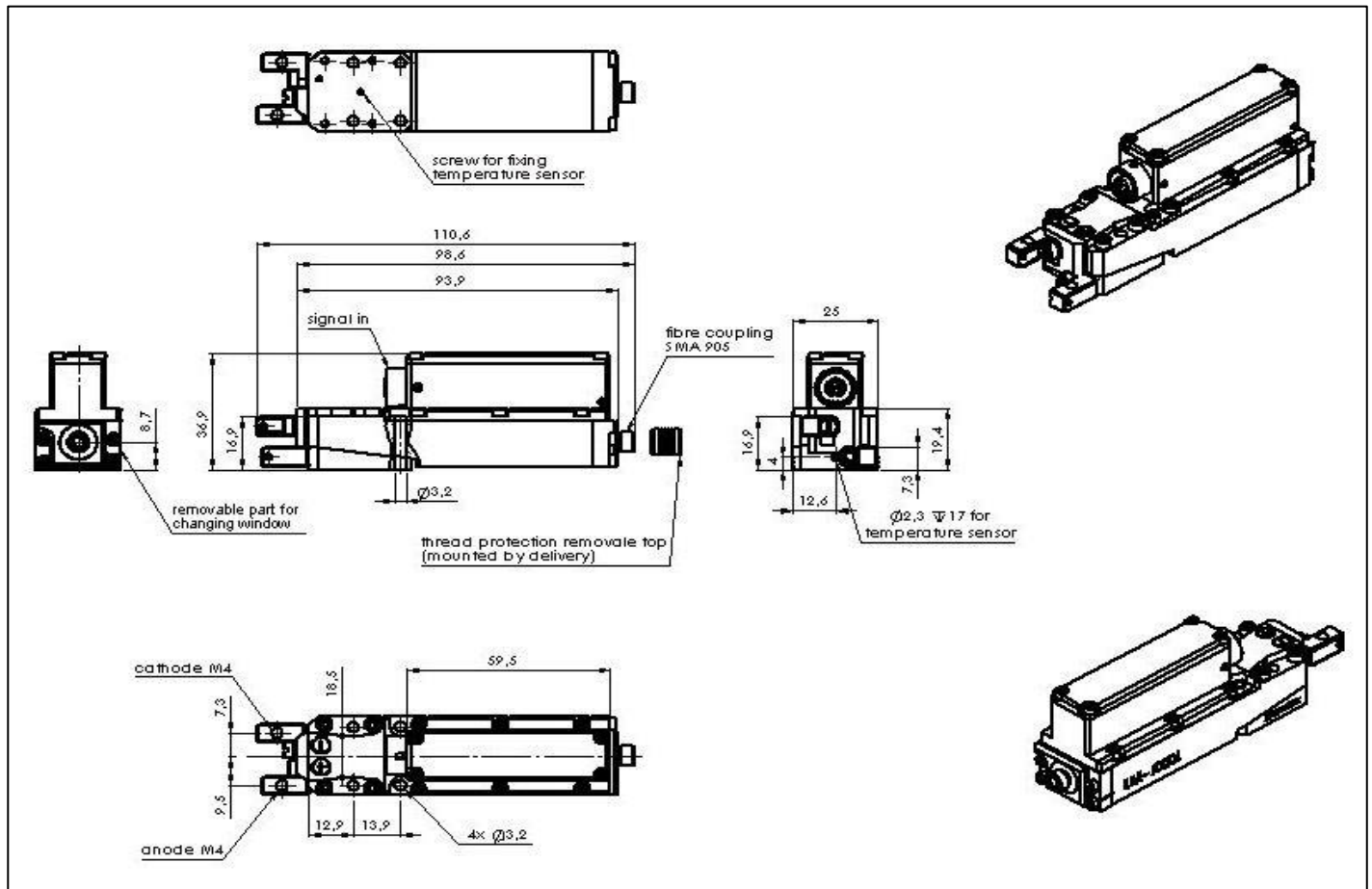
| Photonics Solutions |

LIMO laser and optics designed and engineered in Germany

| Laser Module | Unit | Value | Unit | Value |
|---------------------------------------|------|------------------------------|--------------------------------|---------------------------|
| Optical Data | | Fiber Connection Data | | |
| CW - nominal output power | W | 50 | Fiber core diameter | μm 200 |
| Center wavelength | nm | 980 | Numerical aperture | 0,22 |
| Wavelength tolerance (±) | nm | 10 | Fiber - optic connector | SMA |
| Spectral width (FWHM) | nm | 5 | Cladding mode (max) | % not specified |
| Wavelength temperature drift | nm/K | 0,4 | | |
| Thermal Operation Conditions | | Package | | |
| Nominal diode heat sink temperature | °C | 25 | Dimensions | mm ³ 111x25x37 |
| Diode heat sink operation temperature | °C | +15...30 | Weight basic package | kg 0,35 |
| Minimum heat sink capacity | W | 100 | Storage temperature | °C -20...+60 |
| Electrical Data | | | | |
| Max. operation current start of life | A | 70 | | |
| Max. operation current end of life | A | 84 | | |
| Typical threshold current | A | 8 | | |
| Typical operation voltage | V | 2 | | |
| Typical slope | W/A | 0,8 | | |
| Typical O/E efficiency | % | 43 | | |
| Additional Features | | Monitor Diode | | |
| Pilot Beam | | | | |
| Output power (min) | mW | 0,7 | Operation voltage | V 5 |
| Wavelength | nm | 650 | Output signal (min) | V 0 |
| Voltage | V | 3,3 | Output signal (max) | V 2,5 |
| Current (max) | mA | 25 | | |
| Fiber Detection Sensor (PNP) | | Other Features | | |
| Voltage | V | 12 | Temperature sensors | NTC & PT100 |
| Current (max) | mA | 100 | Exchangeable protection window | Yes |

LIMO50-F200-DL980-S2048

High Power Diode Laser



LIMO50-F200-DL980-S2048 prepared for thermoelectric cooling

All data provided are typically measured with a diode heat sink temperature of 25 °C. All measurements are made with a LIMO reference fiber 200 µm, length 1.5 m, and non AR coated.

Copyright © 2017 LIMO GmbH. All rights reserved. All LIMO products are patent pending. Subject to change without notice.

Version December 20, 2017