

LIMO-LD80-F400-1.5

High Power Fiber for Laser Diodes



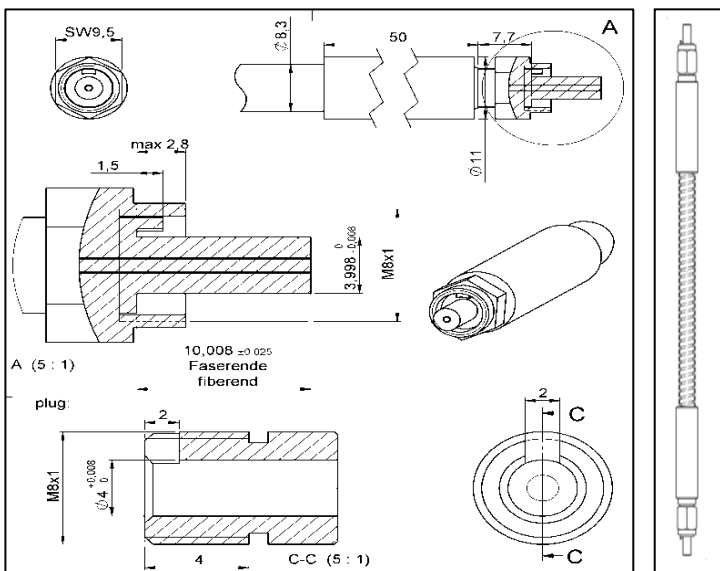
| Photonics Solutions |
| Materials Processing Solutions |

product similar to image

Fiber specifications	unit	value	unit	value	
Optical data			Mechanical Data		
Wavelength range	nm	600...1700	Fiber core diameter	µm	400
Numerical aperture		0,22	Fiber cladding diameter	µm	480
Coating AR-bandwidth	nm	not specified	Length	m	1,5
Max. acceptable laser power (core)	W	500	Short term bending radius	cm	3,6
Max. acceptable laser power (cladding)	W	not specified	Long term bending radius	cm	14,4
			Fiber connector 1		LD80
			Fiber connector 2		LD80
			Fiber jacket		high protective metal
			Fiber jacket coating		PVC

Additional features

Mode stripped (cladding mode free)	not available
Fiber break detection	not available



LD-80 Connector

Copyright © 2017 LIMO GmbH. All rights reserved. All LIMO products are patent pending. Subject to change without notice.

Version December 20, 2017