

LIMO-LD80-F400-5-FEX123

High Power Fiber for Laser Diodes



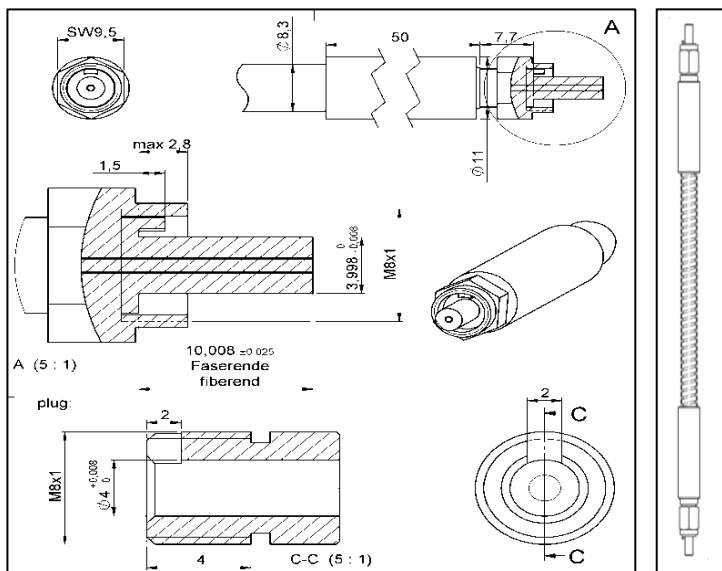
| Photonics Solutions |
| Materials Processing Solutions |

product similar to image

| Fiber specifications | unit | value | unit | value |
|--|------|---------------|---------------------------|-----------------------|
| Optical data | | | Mechanical Data | |
| Wavelength range | nm | 600...1700 | Fiber core diameter | µm 400 |
| Numerical aperture | | 0,22 | Fiber cladding diameter | µm 480 |
| Coating AR-bandwidth | nm | not specified | Length | m 10 |
| Max. acceptable laser power (core) | W | 500 | Short term bending radius | cm 3,6 |
| Max. acceptable laser power (cladding) | W | not specified | Long term bending radius | cm 14,4 |
| | | | Fiber connector 1 | LD80 |
| | | | Fiber connector 2 | LD80 |
| | | | Fiber jacket | high protective metal |
| | | | Fiber jacket coating | PVC |

Additional features

| | |
|------------------------------------|---------------|
| Mode stripped (cladding mode free) | not available |
| Fiber break detection | not available |



LD-80 Connector

Copyright © 2017 LIMO GmbH. All rights reserved. All LIMO products are patent pending. Subject to change without notice.

Version December 20, 2017