

# LIMO-LD80-F600-5-FEX142

High Power Fiber for Laser Diodes



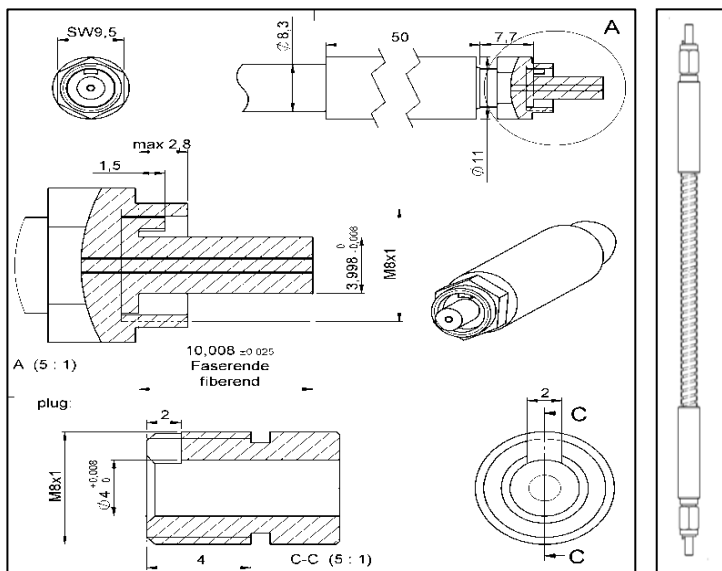
| Photonics Solutions |  
| Materials Processing Solutions |

product similar to image

Fiber specifications	unit	value	unit	value
<b>Optical data</b>			<b>Mechanical Data</b>	
Wavelength range	nm	600...1700	Fiber core diameter	µm 600
Numerical aperture		0,22	Fiber cladding diameter	µm 720
Coating AR-bandwidth	nm	not specified	Length	m 5
Max. acceptable laser power (core)	W	500	Short term bending radius	cm 5,4
Max. acceptable laser power (cladding)	W	not specified	Long term bending radius	cm 21,6
			Fiber connector 1	LD80
			Fiber connector 2	LD80
			Fiber jacket	high protective metal
			Fiber jacket coating	PVC

### Additional features

Mode stripped (cladding mode free)	not available
Fiber break detection	not available



LD-80 Connector

Copyright © 2017 LIMO GmbH. All rights reserved. All LIMO products are patent pending. Subject to change without notice.

Version December 20, 2017