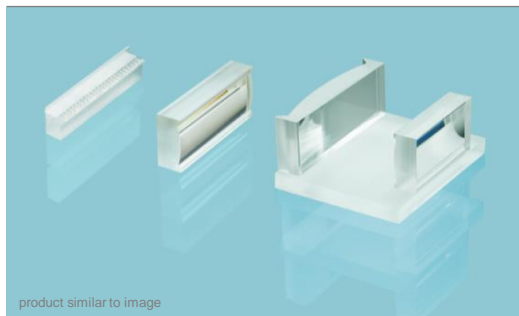


BTS-HOC 150-500 (Two Parts)

Product number: MOD000167



General Description:

| Advanced Optical Solutions |

Module consisting of Beam Transformation System (BTS-150/500D) and Hybrid Optical Chip (HOC) for fiber coupling of diode laser bars with 19 emitters: emitter size up to 150 μm , pitch 500 μm .

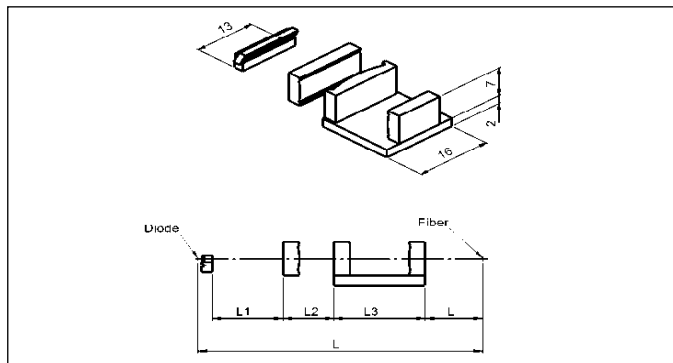
The BTS consists of a FAC286 fast-axis collimation lens, a diagonal lens array for rotating the beams by 90° and a bottom tab for mounting. The HOC has a separate cylindrical lens for vertical collimation and two lenses on a base plate for anamorphic focussing into the fiber.

Specification Data

	Unit	Value
Fibre core diameter	μm	200
Fibre NA		0.22
Height (H)	mm	9
Width (W)	mm	16
Numerical aperture (NA)		FA: 0.6 SA: 0.1
Standard coating - AR	nm	790 - 990
Transmission	%	> 95
Efficiency (power within a spot diameter of 200 μm)	%	> 70
Distance from diode to fiber	mm	L=51.6 (L1 = 12.3; L2 = 8.8; L3 = 18.9; L4 = 9.65)

Options

Customized coating



RoHS compliant
2002/95/EG

Copyright © 2011 LIMO GmbH. All rights reserved. All LIMO products are patent pending. Subject to change without notice.

Version December 19, 2017