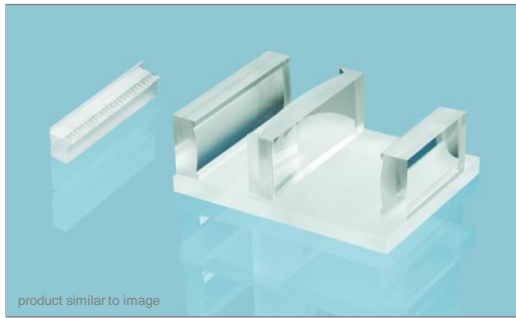


BTS-HOC 150-500

Product number: MOD000320



General Description:

| Advanced Optical Solutions |

Module consisting of Beam Transformation System (BTS-150/500) and Hybrid Optical Chip (HOC) for fiber coupling of diode laser bars with 19 emitters: emitter size up to 150 μm , pitch 500 μm .

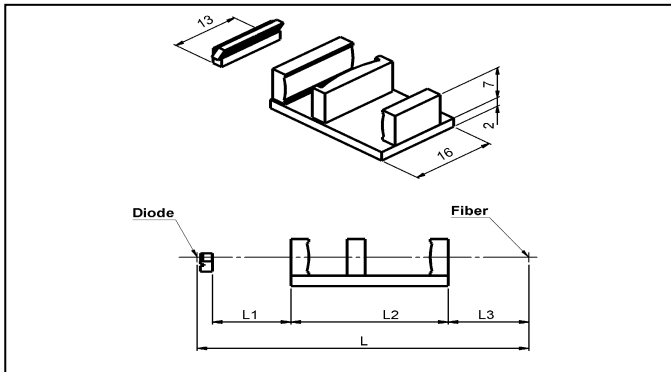
The BTS consists of a FAC286 fast axis collimation lens, a diagonal lens array for rotating the beams by 90° and a bottom tab for mounting. The HOC has 3 cylindrical lenses on a base plate, one lens for vertical collimation and two lenses for anamorphic focussing into the fiber.

Specification Data

	Unit	Value
Fibre core diameter	μm	400
Fibre NA		0.22
Height (H)	mm	9
Width (W)	mm	16
Numerical aperture (NA)		FA: 0.6 SA: 0.1
Standard coating - AR	nm	790 - 990
Transmission	%	> 95
Efficiency (power within a spot diameter of 400 μm)	%	> 80
Distance from diode to fiber	mm	L = 51.6 (L1 = 12.3; L2 = 24.7; L3 = 12.7)

Options

Customized coating



RoHS compliant
2002/95/EG

Copyright © 2011 LIMO GmbH. All rights reserved. All LIMO products are patent pending. Subject to change without notice.

Version December 19, 2017