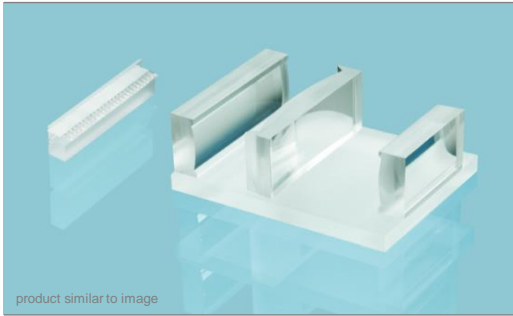


# BTS-HOC 150-500

Product number: MOD000333



## General Description:

## | Advanced Optical Solutions |

Module consisting of Beam Transformation System (BTS-150/500) and Hybrid Optical Chip (HOC) for fiber coupling of diode laser bars with 19 emitters: emitter size up to 150  $\mu\text{m}$ , pitch 500  $\mu\text{m}$ .

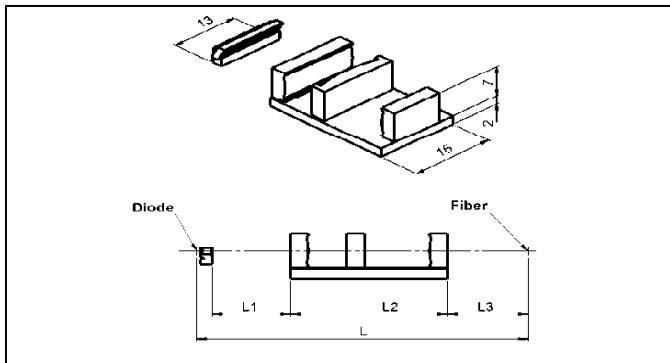
The BTS consists of a FAC286 fast axis collimation lens, a diagonal lens array for rotating the beams by 90° and a bottom tab for mounting. The HOC has 3 cylindrical lenses on a base plate, one lens for vertical collimation and two lenses for anamorphic focussing into the fiber.

## Specification Data

	Unit	Value
Fibre core diameter	$\mu\text{m}$	600
Fibre NA		0.22
Height (H)	mm	9
Width (W)	mm	16
Numerical aperture (NA)		FA: 0.6 SA: 0.1
Standard coating - AR	nm	790 - 990
Transmission	%	> 95
Efficiency (power within a spot diameter of 600 $\mu\text{m}$ )	%	> 80
Distance from diode to fiber	mm	L = 51.6 (L1 = 12.3; L2 = 24.7; L3 = 12.7)

## Options

Customized coating



**RoHS compliant**  
2002/95/EG

Copyright © 2011 LIMO GmbH. All rights reserved. All LIMO products are patent pending. Subject to change without notice.

Version December 19, 2017