

General Description:

| Advanced Optical Solutions |

Compact Beam Transformation System (BTS) for diode laser bars with 19 emitters: emitter size up to 150 μm , pitch 500 μm . The BTS is used to make the beam parameter product of diode laser bars symmetrical for free beam lasers or fiber coupling.

The BTS consists of a FAC 286 fast axis collimation lens, a diagonal lens array for rotating the beams by 90° and a bottom tab for mounting.

Specification Data	Unit	Value
Material		S-TIH53 (Ohara)
Length (L)	mm	11.5 ± 0.1
Width (W)	mm	1.0 ± 0.1
Thickness (T)	mm	1.9 ± 0.1
Clear aperture	mm ²	10.0 x 0.45
Surface quality @ 633 nm		$\lambda/4$ (typically)
Back focal length BFL @ 808 nm	mm	0.09
Pitch	mm	0.5
Gap	mm	0.05 ± 0.01
Numerical aperture (NA)		FA: 0.6 SA: 0.1
Transmission	%	> 98

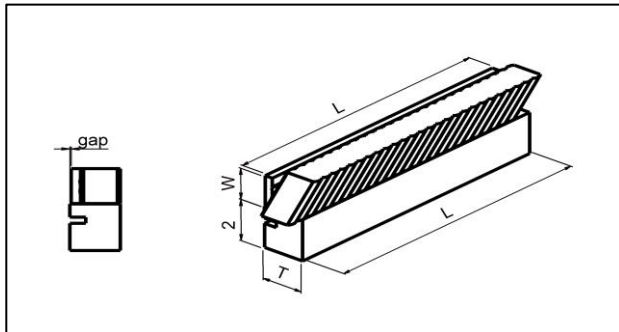
Options

Customized coating

Matrix of Product Codes

AR-coating	Remaining FA divergence (FW 1/e ²) (*)			Note
	< 7 mrad	< 10 mrad	< 13 mrad	
600 - 700 nm	MOD000562	MOD000622	MOD000623	Divergence measured at 808 nm
785 - 810 nm	MOD000132	MOD000122	MOD000548	Divergence measured at 808 nm
965 - 990 nm	MOD000152	MOD000268	MOD000547	Divergence measured at 976 nm
790 - 990 nm	MOD000124	MOD000115	MOD000116	Divergence optimized for 808 nm
790 - 990 nm	MOD000151	MOD000117	MOD000546	Divergence optimized for 976 nm
1000 - 1600 nm	MOD000352	MOD000283	MOD000284	Divergence measured at 976 nm

Apart from free beam lasers the BTS with remaining divergence for FA < 7, 10 or 13 mrad can be used for coupling into 200, 400 or 600 μm fibers with NA 0.22, respectively (see also BTS-HOC systems for fiber coupling).



(*) Valid for an emitter-height of 1 μm and no smile of the laser diode.

RoHS compliant
2002/95/EG

Copyright © 2011 LIMO GmbH. All rights reserved. All LIMO products are patent pending. Subject to change without notice.

Version June 22, 2018