

General Description:

| Advanced Optical Solutions |

Beam Transformation System (BTS) for diode laser bars with up to 25 emitters: emitter size up to 200 μm , pitch 400 μm . The BTS is used to make the beam parameter product of diode laser bars symmetrical for free beam lasers or fiber coupling.

The BTS consists of a FAC365 fast axis collimation lens, a diagonal lens array for rotating the beams by 90° and a bottom tab for mounting.

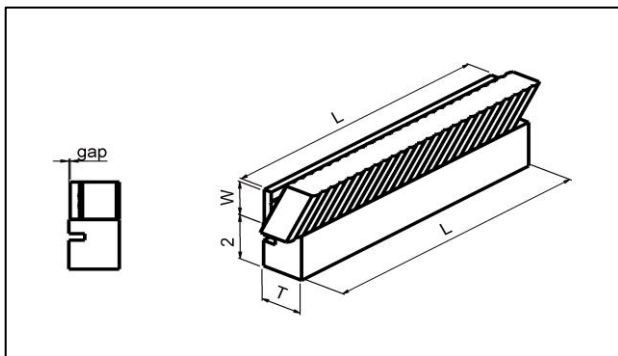
Specification Data	Unit	Value
Material		S-TIH53 (Ohara)
Length (L)	mm	12.0 \pm 0.1
Width (W)	mm	1.5 \pm 0.1
Thickness (T)	mm	2.05 \pm 0.1
Clear aperture	mm ²	10.5 x 0.55
Surface quality @ 633 nm		$\lambda/4$ (typically)
Back focal length BFL @ 808 nm	mm	0.095
Pitch	mm	0.4
Gap	mm	0.05 \pm 0.01
Numerical aperture (NA)		FA: 0.5 SA: 0.06
Transmission	%	> 98
Remaining divergence (FW1/e ²) for fast axis	mrad	< 6

Product Codes

AR-coating	Product code	Note
790 - 990 nm, R<0.5%	MOD000687	Divergence optimized for 808 nm
790 - 990 nm, R<0.5%	MOD000672	Divergence optimized for 976 nm

Options

Customized coating



RoHS compliant
2002/95/EG

Copyright © 2011 LIMO GmbH. All rights reserved. All LIMO products are patent pending. Subject to change without notice.

Version December 19, 2017