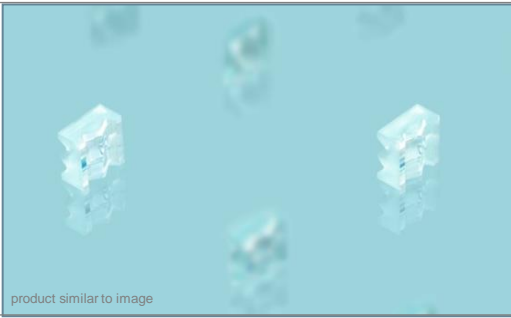


# Coupler for Pump Application

Product number: ZLE000419



## General Description:

## | Advanced Optical Solutions |

Monolithic beam shaping and focussing optic for efficient light coupling of a single emitter into a crystal (for pump application).

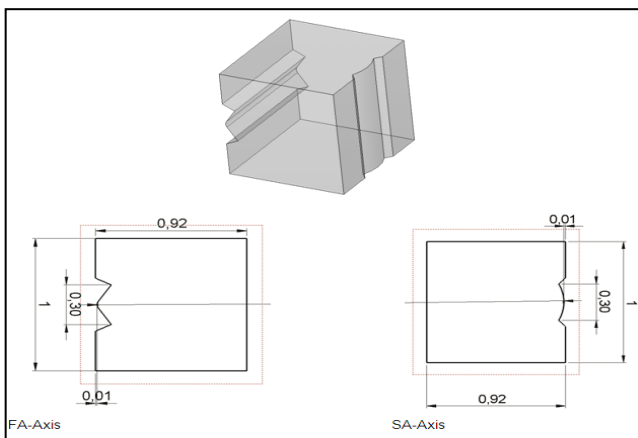
The coupler is designed to be mounted directly in front of the single emitter facet.

## Specification Data

	Unit	Value
Material		S-LAM52 (Ohara)
Length (L)	mm	1.0 ± 0.1
Height (H)	mm	1.0 ± 0.1
Width (W)	mm	0.92 ± 0.1
Clear aperture	mm <sup>2</sup>	0.3 x 0.3
Surface quality @ 633 nm		λ/4 (typically)
Max. numerical aperture (NA)	1/e <sup>2</sup>	FA: 0.5 SA: 0.12
Distance Emitter Facet - Coupler	mm	0.070
Distance Coupler - Crystal	mm	2.5
Refractive index n @ 445 nm		1.739
Effective focal length (EFL) @ 445 nm	mm	FA: 0.0694 SA: 0.479
Standard coating - AR	nm	420 - 470
Transmission	%	> 99
Typical coupling efficiency	%	> 80
- Pump spot size: approx. 15 ± 5 μm FW1/e <sup>2</sup>		
- Emitter data:		
- Slow axis 14 μm, NA 0.12		
- Fast axis 2 μm, NA 0.33		

## Options

Customized coating



RoHS compliant

2002/95/EG

Copyright © 2011 LIMO GmbH. All rights reserved. All LIMO products are patent pending. Subject to change without notice.

Version December 19, 2017