

# Fiber Coupler 400

Product number: ZLE000426



product similar to image

## General Description:

## | Advanced Optical Solutions |

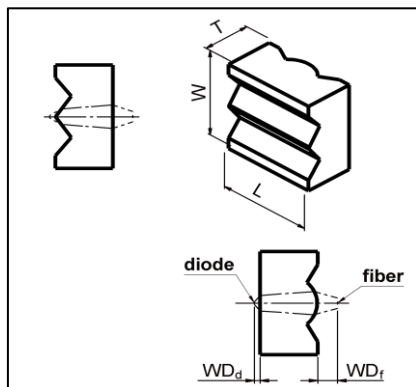
Fiber coupler for the efficient coupling of light from an up to 400  $\mu\text{m}$  wide emitter into an optical fiber.

## Specification Data

	Unit	Value
Material		S-TIH53 (Ohara)
Length (L)	mm	$2.0 \pm 0.05$
Width (W)	mm	$2.0 \pm 0.05$
Thickness (T)	mm	$1.62 \pm 0.01$
Clear aperture	$\text{mm}^2$	$0.75 \times 0.75$
Surface quality @ 633 nm		$\lambda/4$ (typically)
Max. numerical aperture (NA)		FA: 0.6 SA: 0.1
Distance emitter facet - coupler ( $WD_d$ )	mm	0.1
Distance coupler - fiber ( $WD_f$ )	mm	0.94
Refractive index n @ 808 nm		1.823
Effective focal length (EFL) @ 808 nm	mm	FA: 0.1 SA: 1.04
Standard coating - AR	nm	790 - 990
Transmission	%	> 99
Typical coupling efficiencies (for AR coated fibers)		
Emitter width $\leq 400 \mu\text{m}$ , NA 0.10; Fibre $\phi = 200 \mu\text{m}$ , NA 0.22	%	> 90

## Options

Customized coating



**RoHS compliant**  
2002/95/EG

Copyright © 2011 LIMO GmbH. All rights reserved. All LIMO products are patent pending. Subject to change without notice.

Version December 19, 2017