

Coupler for Pumping Application

Product number: ZLE000420



product similar to image

General Description:

| Advanced Optical Solutions |

Monolithic beam shaping and focussing optic for efficient light coupling of a single emitter (TO-can) into a crystal (for pumping application).

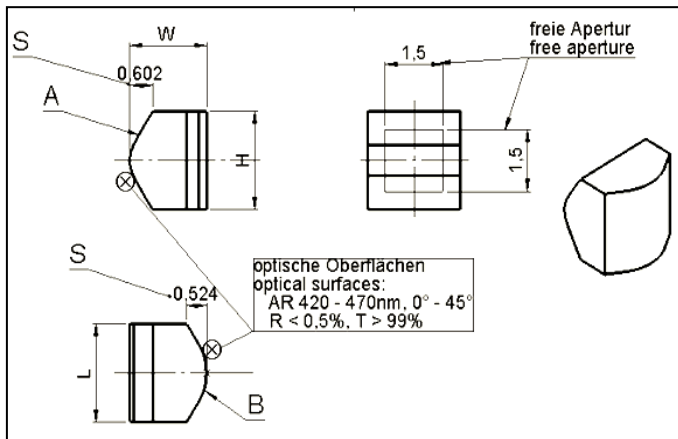
The coupler is designed to be mounted in front of a single emitter, which is mounted in a TO-can housing.

Specification Data

	Unit	Value
Material		S-LAM52 (Ohara)
Length (L)	mm	2.4 ± 0.1
Height (H)	mm	2.4 ± 0.1
Width (W)	mm	2.0 + 0/- 0.1
Clear aperture	mm ²	1.5 x 1.5
Surface quality @ 633 nm		λ/4 (typically)
Max. numerical aperture (NA)	1/e ²	FA: 0.5 SA: 0.12
Distance Emitter Facet - Coupler	mm	1.2
Distance Coupler - Crystal	mm	7.0
Refractive index n @ 445 nm		1.739
Effective focal length (EFL) @ 445 nm	mm	FA: 1.047 SA: 1.752
Standard coating - AR	nm	420 - 470
Transmission	%	> 99
Pump spot size (*)	μm	15 ± 5 μm (FW1/e ²)

Options

Customized coating



(*) Based on :

Emitter data: SA 14 μm width (NA 0.12), FA 2 μm height (NA 0.33)

RoHS compliant
2002/95/EG

Copyright © 2011 LIMO GmbH. All rights reserved. All LIMO products are patent pending. Subject to change without notice.

Version June 25, 2018