

Monolithic Fiber Coupling Optics for Mini-Bars



General Description:

| Advanced Optical Solutions |

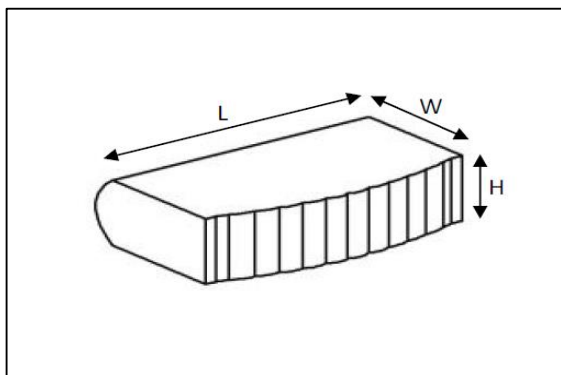
Monolithic fiber coupler for the efficient coupling of the light output of mini-bars with 10 emitters into fibers with core diameter of 600 μm or larger and NA of 0.22 or larger.

Specification Data	Unit	Value
Material		S-TIH53 (Ohara)
Length (L)	mm	6.0 ± 0.1
Width (W)	mm	1.5 ± 0.1
Thickness (T)	mm	3.81 ± 0.05
Clear aperture	mm^2	5.0×1.2
Surface quality @ 633 nm		$\lambda/4$ (typically)
Max. numerical aperture (NA)		FA: 0.5 SA: 0.08
Distance emitter facet - coupler	mm	0.4
Distance coupler - fiber @ 970nm	mm	11.8
@ 640nm	mm	11.45
Transmission	%	> 99
Typical coupling efficiencies (for uncoated fibers)		
10 emitters (width: 90 μm); Fibre $\phi = 600\mu\text{m}$, NA 0.22	%	90
10 emitters (width: 90 μm); Fibre $\phi = 800\mu\text{m}$, NA 0.22	%	92

AR-coating	Product Code
790 - 990 nm	ZLE001723
600 - 700 nm	ZLE001674

Options

Customized coating



RoHS compliant
2002/95/EG

Copyright © 2011 LIMO GmbH. All rights reserved. All LIMO products are patent pending. Subject to change without notice.

Version June 25, 2018