

product similar to image

General Description:

| Advanced Optical Solutions |

Aspherical cylindrical lens for the collimation of the fast axis of diode lasers.

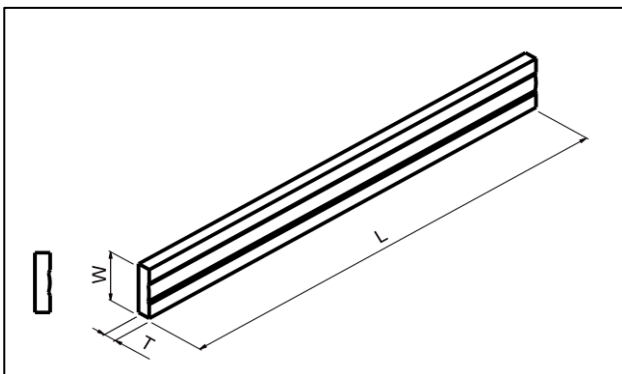
Specification Data	Unit	Value
Material		S-NPH3 (Ohara)
Length (L)		12.0 ± 0.05
Width (W)	mm	0.8 ± 0.05
Thickness (T)	mm	0.25 ± 0.01
Clear aperture	mm ²	11.5 x 0.25
Surface quality @ 633 nm		λ/4 (typically)
Refractive index n @ 980 nm		1.911
Effective focal length (EFL) @ 980 nm	mm	0.160
Back focal length (BFL) @ 980 nm	mm	0.034
Numerical aperture (NA)		0.8
Standard coating - AR	nm	790 - 990
Transmission	%	> 99
Power within an angle of ± 3.6 mrad	%	> 85

Product Codes

AR-coating	Length 12mm
790 - 990 nm, R<0.5%	ZLE001942

Options

- Customized coating
- Customized length
- Bottom or side tab for mounting



RoHS compliant
2002/95/EG

Copyright © 2011 LIMO GmbH. All rights reserved. All LIMO products are patent pending. Subject to change without notice.

Version December 19, 2017