

product similar to image

General Description:

Aspherical cylindrical lens for the collimation of the fast axis of diode lasers.

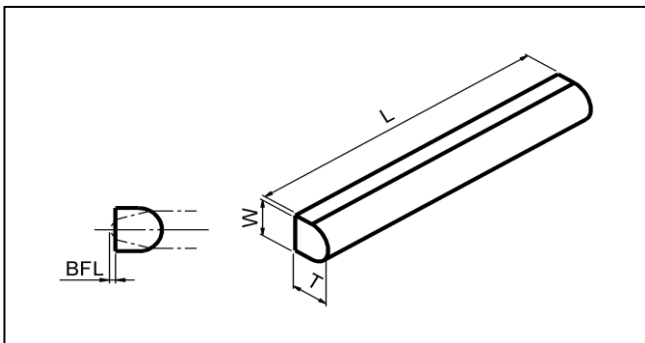
| **Advanced Optical Solutions** |

Specification Data

	Unit	Value
Material		S-NPH3 (Ohara)
Length (L)	mm	tbd.
Width (W)	mm	0.37 ± 0.05
Thickness (T)	mm	0.326 ± 0.01
Clear aperture	mm ²	(L-1.0) x 0.27
Surface quality @ 633 nm		λ/4 (typically)
Refractive index n @ 940 nm		1.914
Effective focal length (EFL) @ 940 nm	mm	0.20
Back focal length (BFL) @ 940 nm	mm	0.03
Numerical aperture (NA)		0.8
Standard coating - AR	nm	900 - 1000
Transmission	%	> 99
Power within an angle of ± 3.3 mrad	%	> 85

Options

- Customized coating
- Customized length



RoHS compliant
2002/95/EG

Copyright © 2011 LIMO GmbH. All rights reserved. All LIMO products are patent pending. Subject to change without notice.

Version December 19, 2017