

product similar to image

General Description:

Aspherical cylindrical lens for the collimation of the fast axis of diode lasers.

| **Advanced Optical Solutions** |

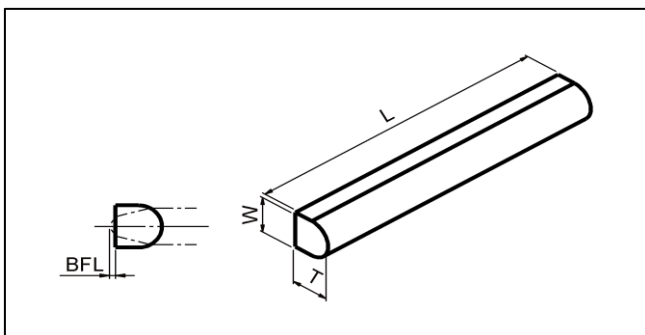
Specification Data

	Unit	Value
Material		S-TIH53 (Ohara)
Length (L)	mm	tbd.
Width (W)	mm	0.60 ± 0.05
Thickness (T)	mm	0.57 ± 0.01
Clear aperture	mm ²	$(L-1.0) \times 0.5$
Surface quality @ 633 nm		$\lambda/4$ (typically)
Refractive index n @ 940 nm		1.816
Effective focal length (EFL) @ 940 nm	mm	0.35
Back focal length (BFL) @ 940 nm	mm	0.035
Numerical aperture (NA)		0.8
Standard coating - AR	nm	900 - 1000
Transmission	%	> 99
Power within an angle of ± 1.8 mrad	%	> 85

Options

Customized coating

Customized length



RoHS compliant
2002/95/EG

Copyright © 2011 LIMO GmbH. All rights reserved. All LIMO products are patent pending. Subject to change without notice.

Version December 19, 2017