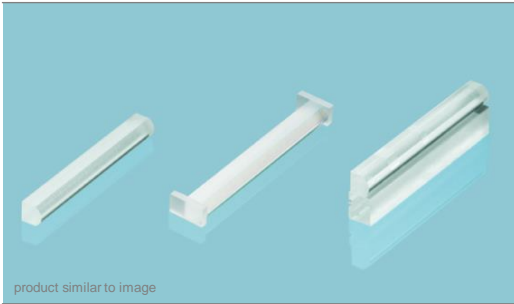


Fast Axis Collimator - FAC570 FS



product similar to image

General Description:

A cylindrical biconvex lens for the collimation of the fast axis of diode lasers. The lens is made of fused silica and optimized for high power VIS transmission so that it withstands powers of 300 W or even higher.

Specification Data

	Unit	Value
Material		Fused Silica
Length (L)		14 ± 0.1
Width (W)	mm	1.0 ± 0.05
Center thickness (Tc)	mm	0.96 ± 0.05
Clear aperture (Side A)	mm ²	13 x 0.4
Clear aperture (Side B)	mm ²	13 x 0.65
Refractive index n @ 450 nm		1.466
Effective focal length (EFL) @ 450 nm	mm	0.57
Back focal length (BFL) @ 450 nm	mm	0.17
Numerical aperture (NA)		0.58
Standard coating - AR	nm	400-480
Transmission / AOI	% / °	> 99 / 0-30
Power within an angle of ± 1.1 mrad (*)	%	> 90

Product Codes

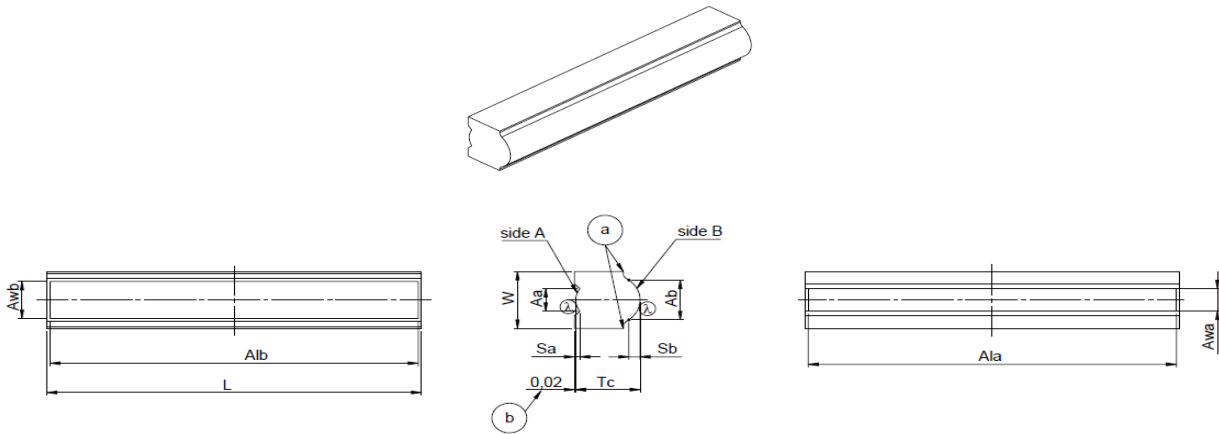
AR-coating

Surface imperfections (DIN ISO 10110-7)

ZLE002217 (**)

400-480

5/ 5x0.025; C2x0.04; L2x0.025; E(***)



Side A of the FAC is in direction to the emitter

(*) Valid for an emitter-height of 1µm and no smile of the laser diode.

(**) Standard product with short lead time

(***) Short edge E0.2; long edge E0.1

RoHS compliant
2011/65/EU and 2015/863/EU

Copyright © 2011 LIMO GmbH. All rights reserved.
All LIMO products are patent pending. Subject to
change without notice.

Version August 24, 2020