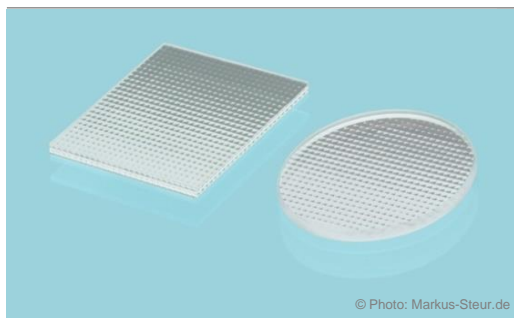


Homogenizer Pitch 1.3



© Photo: Markus-Steuer.de

General Description:

| **Advanced Optical Solutions** |

Lens array with cross-oriented cylindrical lenses on both sides.
Top hat profiles with high homogeneity can be generated in both dimensions.

Specification Data	Unit	Value	Product No.
Material		Fused Silica	
Length (L)	mm	35.0 ± 0.1	
Width (W)	mm	35.0 ± 0.1	
Thickness (T)	mm	2.0 ± 0.1	
Clear aperture	mm ²	32.5 x 32.5	
Surface quality @ 633 nm		λ/4 (typically)	
Refractive index n	@ 248 nm	1.509	
	@ 532 nm	1.461	
	@ 1064nm	1.449	
Pitch (P)	mm	1.3	
Radius	mm	2.99 ± 0.09	ZLA000218
	mm	4.40 ± 0.13	ZLA000800
	mm	6.50 ± 0.20	ZLA001687
	mm	8.40 ± 0.25	ZLA000794
	mm	12.5 ± 0.38	ZLA000781
	mm	17.0 ± 0.51	ZLA000788
	mm	25.0 ± 0.75	ZLA000745
	mm	50.0 ± 1.5	ZLA000743
	mm	-50.0 ± 1.5	ZLA000787
Transmission (without coating)	%	>90	

Overview Effective Focal Length for Different Wavelength

Product No.	Unit	@ 248 nm	@ 532 nm	@ 1064 nm
ZLA000218	mm	5.88 ± 0.18	6.49 ± 0.19	6.65 ± 0.20
ZLA000800	mm	8.65 ± 0.26	9.55 ± 0.29	9.79 ± 0.29
ZLA001687	mm	12.8 ± 0.38	14.1 ± 0.42	14.5 ± 0.43
ZLA000794	mm	16.5 ± 0.50	18.2 ± 0.55	18.7 ± 0.56
ZLA000781	mm	24.6 ± 0.74	27.1 ± 0.81	27.8 ± 0.83
ZLA000788	mm	33.4 ± 1.0	36.9 ± 1.1	37.8 ± 1.1
ZLA000745	mm	49.2 ± 1.5	54.3 ± 1.6	55.6 ± 1.7
ZLA000743	mm	98.3 ± 2.9	108.5 ± 3.3	111.2 ± 3.3
ZLA000787	mm	-98.3 ± 2.9	-108.5 ± 3.3	-111.2 ± 3.3

Numerical Aperture of the Homogenizer for Different Wavelength [p/(2f)]

Product No.	@ 248 nm	@ 532 nm	@ 1064 nm
ZLA000218	0.1105	0.1002	0.0977
ZLA000800	0.0751	0.0681	0.0664
ZLA001687	0.0508	0.0461	0.0448
ZLA000794	0.0394	0.0357	0.0348
ZLA000781	0.0264	0.0240	0.0234
ZLA000788	0.0195	0.0176	0.0172
ZLA000745	0.0132	0.0120	0.0117
ZLA000743	0.0066	0.0060	0.0059
ZLA000787	0.0066	0.0060	0.0059

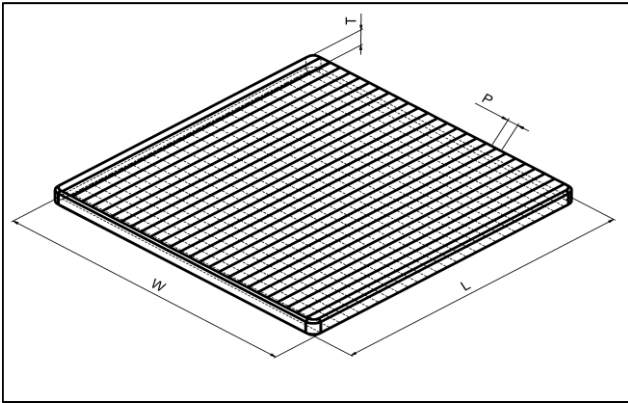
On request

AR coating

Customized size

Holder

Single-sided structure only



RoHS compliant
2002/95/EG

Copyright © 2011 LIMO GmbH. All rights reserved. All LIMO products are patent pending. Subject to change without notice.

Version May 16, 2019

LIMO GmbH | Bookenburgweg 4-8 | 44319 Dortmund, Germany
Phone: +49 231 22 24 1 - 0 | Fax: +49 231 22 24 1 - 140 | www.limo.de | info@limo.de