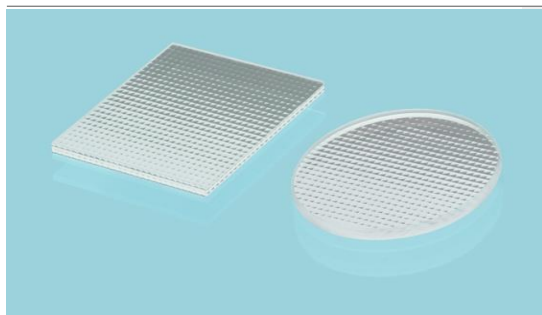


Homogenizer Pitch 0.5



General Description:

| **Advanced Optical Solutions** |

Lens array with cross-oriented cylindrical lenses on both sides. Top hat profiles with high homogeneity can be generated in both dimensions.

Specification Data	Unit	Value	Product No.
Material		Fused Silica	
Length (L)	mm	12.0 ± 0.1	
Width (W)	mm	12.0 ± 0.1	
Thickness (T)	mm	2.0 ± 0.1	
Clear aperture	mm ²	10.0 x 10.0	
Surface quality @ 633 nm		λ/4 (typically)	
Refractive index n @ 248 nm		1.509	
@ 532 nm		1.461	
@ 1064 nm		1.449	
Pitch (P)	mm	0.5	
Radius	mm	2.15 ± 0.06	ZLA000481
	mm	3.50 ± 0.11	ZLA000238
	mm	5.50 ± 0.17	ZLA000240
	mm	14.0 ± 0.42	ZLA000234
	mm	21.0 ± 0.63	ZLA000237
	mm	31.3 ± 0.94	ZLA000485
Transmission (without coating)	%	> 90	

Overview Effective Focal Length for Different Wavelength

Product No.	Unit	@ 248 nm	@ 532 nm	@ 1064 nm
ZLA000481	mm	4.23 ± 0.13	4.67 ± 0.14	4.78 ± 0.14
ZLA000238	mm	6.88 ± 0.21	7.60 ± 0.23	7.78 ± 0.23
ZLA000240	mm	10.8 ± 0.32	11.9 ± 0.36	12.2 ± 0.37
ZLA000234	mm	27.5 ± 0.83	30.4 ± 0.91	31.1 ± 0.93
ZLA000237	mm	41.3 ± 1.2	45.6 ± 1.4	46.7 ± 1.4
ZLA000485	mm	61.6 ± 1.8	67.9 ± 2.0	69.6 ± 2.1

Numerical Aperture of the Homogenizer for Different Wavelength [p/(2f)]

Product No.	@ 248 nm	@ 532 nm	@ 1064 nm
ZLA000481	0.0591	0.0535	0.0523
ZLA000238	0.0363	0.0329	0.0321
ZLA000240	0.0231	0.0210	0.0204
ZLA000234	0.0091	0.0082	0.0080
ZLA000237	0.0061	0.0055	0.0054
ZLA000485	0.0041	0.0037	0.0036

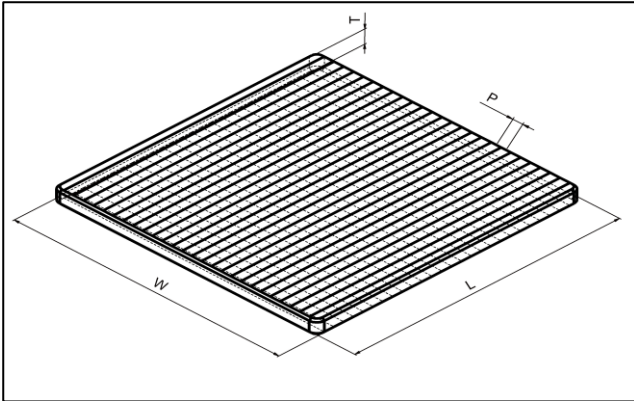
Options

AR coating

Customized size

Holder

Single-sided structure only



RoHS compliant
2002/95/EG

Copyright © 2011 LIMO GmbH. All rights reserved. All LIMO products are patent pending. Subject to change without notice.

Version December 19, 2017