

LIMO-ILS-Basic1

Industrial Laser System for Laser Material Processing Applications



| Material Processing Solutions |

Your product benefits:

- Turnkey laser system
- Ready for easy integration into production machines
- Manual or remote operation by state of the art machine interfaces
- Passive watercooling
- Safe operation by strict conformity to safety standards

System Technical Data	Unit	Value	Unit	Value
-----------------------	------	-------	------	-------

Optical Data

CW - nominal output power	W	<=60
Wavelength	nm	808-980
Fibre diameter	µm	100-400
Numerical aperture		0,22
Fibre plug type		SMA

Electrical Data

Operation Voltage	V	230
Max. operation current per supply unit	A	16
Supply frequency	Hz	50
Number of leads		1P + N + PE
Power plug type		CEE

Cooling Unit

Chiller type		air
Cooling capacity	W	150
Laser circuit water pressure	bar	na
Laser circuit water flow	l/min	na
Laser circuit water type		na

Mechanical Data

Rack type		na
Rack height	RU	na
Dimensions (height x width x depth)	mm ³	212x223x450
Max. weight	kg	10

Thermal Operation and Storage Conditions

Operation ambient temperature range	°C	+15...35
Max. operation relative humidity		non condensing
Storage temperature range	°C	20...+60
Storage max. relative humidity		non condensing

Additional Features and Interfaces

Interfaces - In / Out

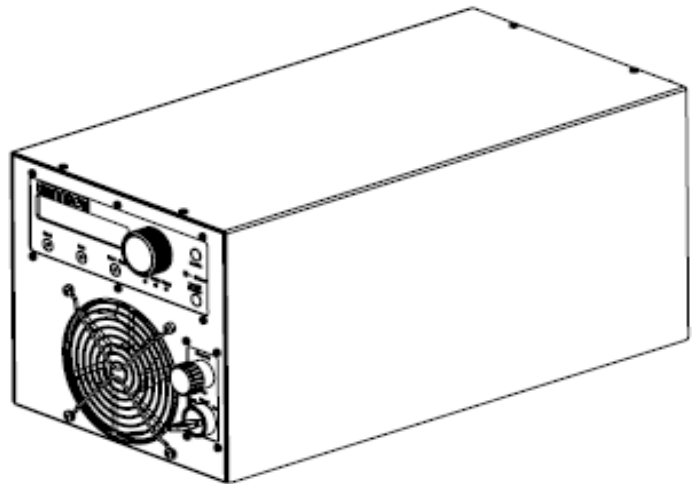
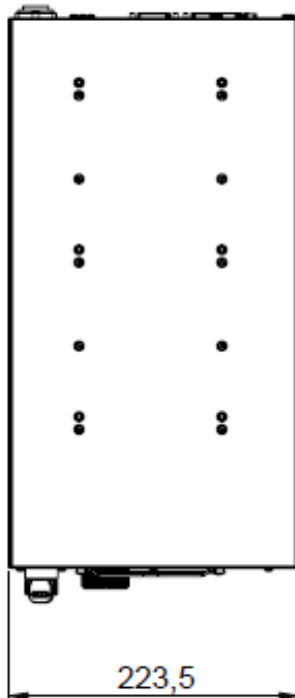
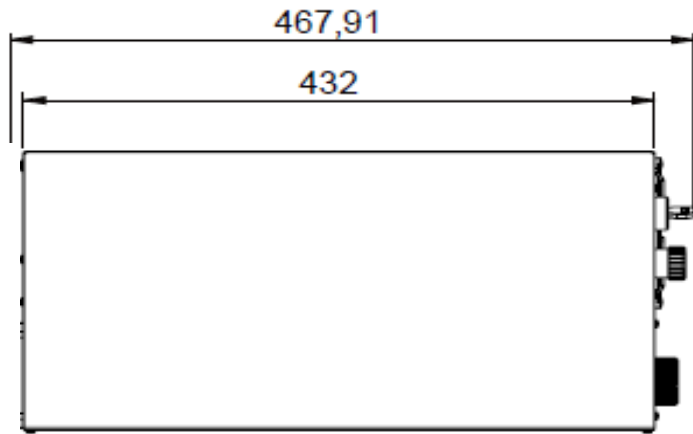
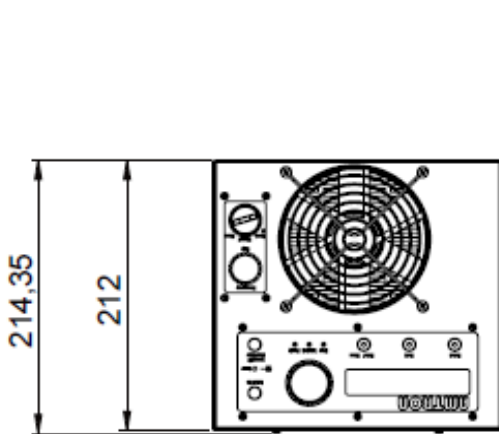
Analog programming	available
Laser enable-start/stop (in)	available
External interlock (in)	available
RS232-(in/out)	available
Ethernet (in/out)	available
SPS-interface (in/out)	available
Bus-interface (in/out)	available

Other Features

Pilot beam	available
Fiber detection sensor	not available
Fiber break detection	not available
Key main switch	available

LIMO-ILS-Basic1

Industrial Laser System for Laser Material Processing Applications



Copyright © 2019 LIMO GmbH. All rights reserved. All LIMO products are patent pending. Subject to change without notice.

Version May 16, 2019