

# LIMO-ILS-Basic10

Industrial Laser System for Laser Material Processing Applications



## | Material Processing Solutions |

### Your product benefits:

- Turnkey laser system
- Ready for easy integration into production machines
- Manual or remote operation by state of the art machine interfaces
- Passive watercooling
- Safe operation by strict conformity to safety standards

System Technical Data	Unit	Value	Unit	Value
-----------------------	------	-------	------	-------

#### Optical Data

CW - nominal output power	W	200-500
Wavelength	nm	808-980
Fibre diameter	µm	400
Numerical aperture		0,22
Fibre plug type		LD80

#### Mechanical Data

Rack type		19"
Rack height	RU	15
Dimensions (height x width x depth)	mm <sup>3</sup>	1000x565x800
Max. weight	kg	120

#### Electrical Data

Operation Voltage	V	400
Max. operation current per supply unit	A	16
Supply frequency	Hz	50
Number of leads		3P + N + PE
Power plug type		CEE

#### Thermal Operation and Storage Conditions

Operation ambient temperature range	°C	+15...35
Max. operation relative humidity		non condensing
Storage temperature range	°C	20...+60
Storage max. relative humidity		non condensing

#### Cooling Unit

Chiller type		air water
Cooling capacity	W	2100
Laser circuit water pressure	bar	3.5
Laser circuit water flow	l/min	4
Laser circuit water type		distilled water

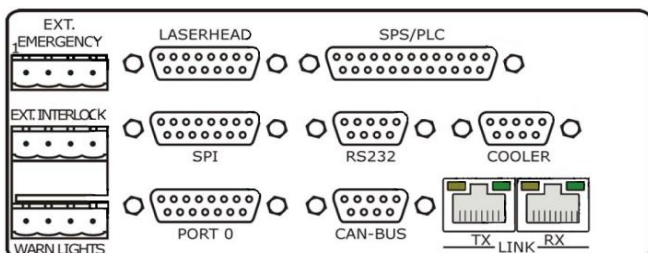
### Additional Features and Interfaces

#### Interfaces - In / Out

Analog programming	available
Laser enable-start/stop (in)	available
External interlock (in)	available
RS232-(in/out)	available
Ethernet (in/out)	available
IO-interface (in/out)	available

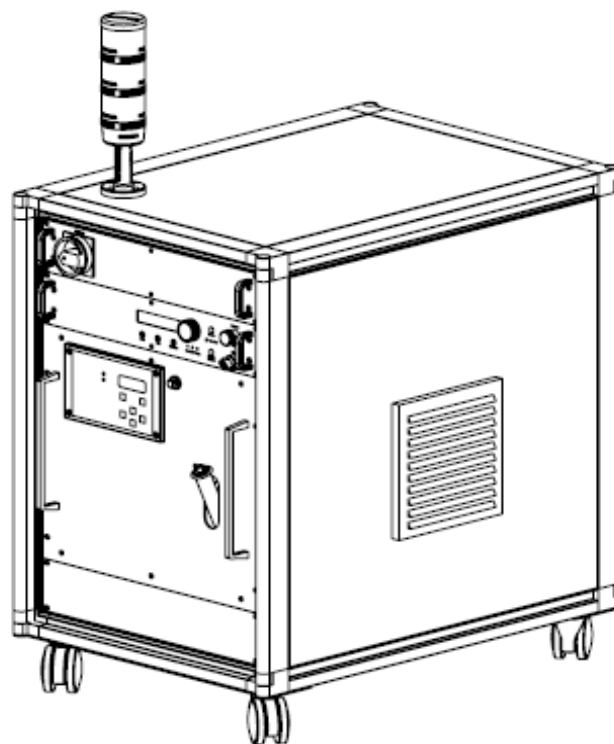
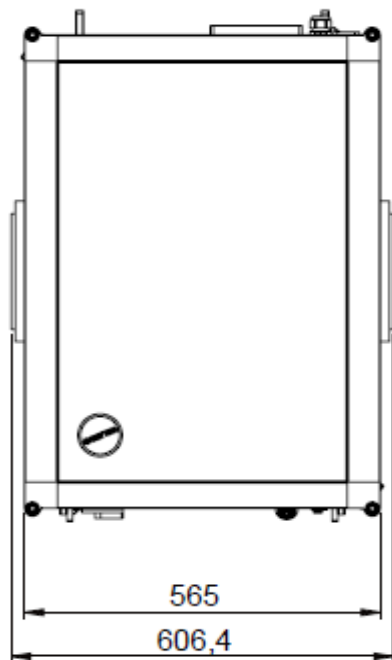
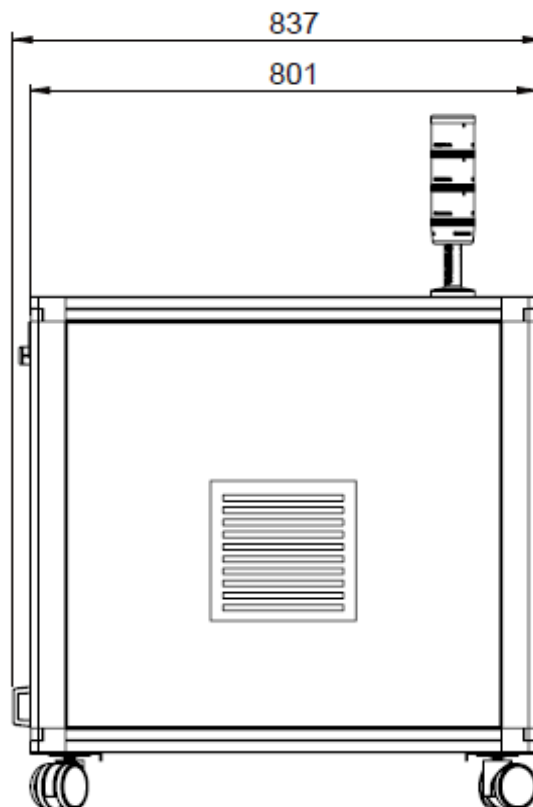
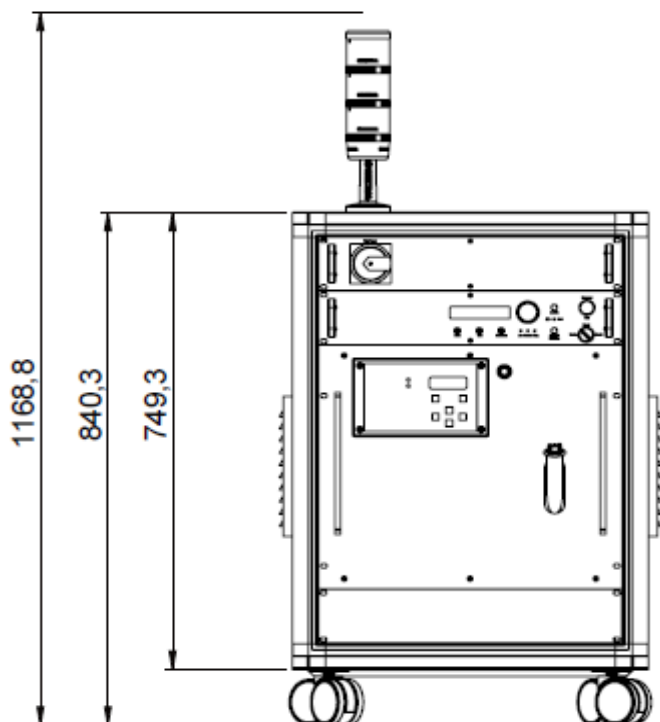
#### Other Features

Pilot beam	available
Fiber detection sensor	not available
Fiber break detection	optional
Key main switch	available
Pyrometrie ready	available
Powermeter ready	available
Laser Process Head	optional
Internal pulse modus	available



# LIMO-ILS-Basic10

Industrial Laser System for Laser Material Processing Applications



Copyright © 2018 LIMO GmbH. All rights reserved. All LIMO products are patent pending. Subject to change without notice.

Version January 29, 2018