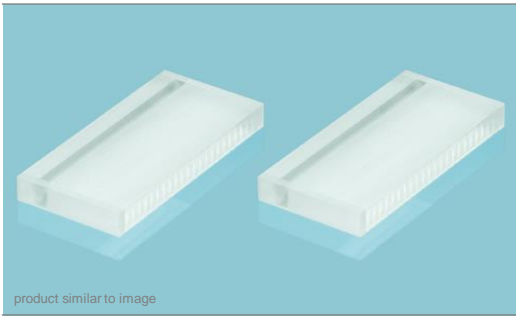


# FAC-TEL Collimation Module

Product number: MOD000386



## General Description:

## | Advanced Optical Solutions |

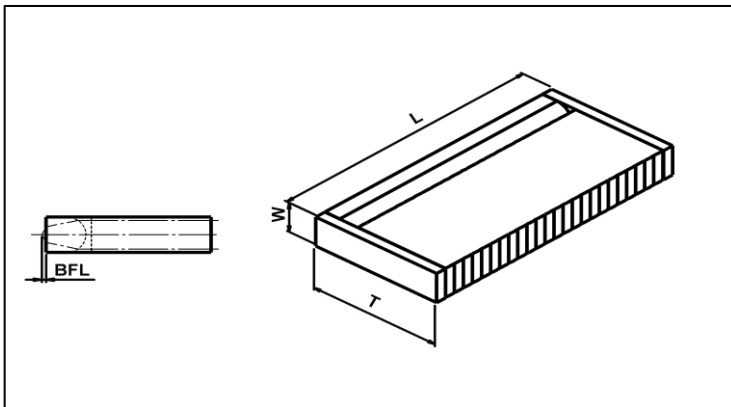
Collimation module consisting of FAC910 and TEL150-500 mounted with side tabs for the collimation of the slow and fast axis of diode lasers. Emitter size of up to 150  $\mu\text{m}$  and pitch 500  $\mu\text{m}$ .

## Specification Data

	Unit	Value
Material		S-TIH53 (Ohara)
Length (L)	mm	$13.0 \pm 0.25$
Width (W)	mm	$1.5 \pm 0.05$
Thickness (T)	mm	$6.2 \pm 0.1$
Clear aperture	$\text{mm}^2$	$11.0 \times 1.4$
Surface quality @ 633 nm		$\lambda/4$ (typically)
Back focal length (BFL) @ 808 nm	mm	0.09
Pitch	mm	0.5
Standard coating - AR	nm	790 - 990
Transmission	%	> 98
Fast axis power within an angle of $\pm 0.7$ mrad	%	> 85
Slow axis remaining divergence FW $1/e^2$	mrad	65 (typically)

## Options

- Customized coating
- Bottom tab for mounting



**RoHS compliant**  
2002/95/EG

Copyright © 2011 LIMO GmbH. All rights reserved. All LIMO products are patent pending. Subject to change without notice.

Version December 19, 2017