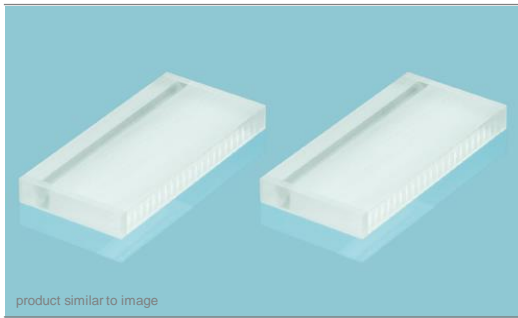


FAC-TEL Collimation Module

Product number: MOD000246



General Description:

| Advanced Optical Solutions |

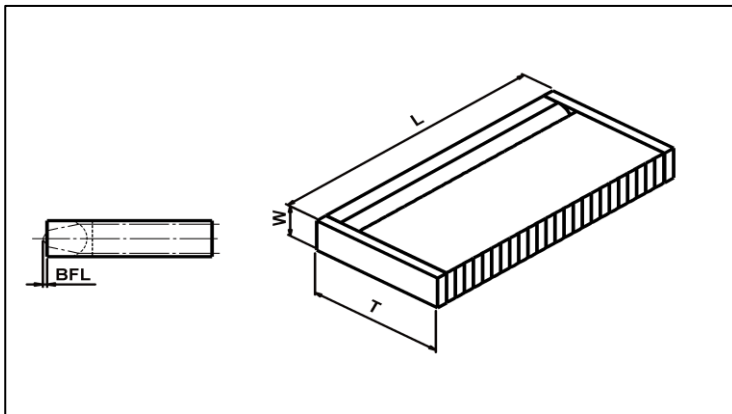
Collimation module consisting of FAC590 and TEL200-400 mounted with side tabs for the collimation of the slow and fast axis of diode lasers. Emitter size of up to 200 μm and pitch 400 μm .

Specification Data

	Unit	Value
Material		S-TIH53 (Ohara)
Length (L)	mm	13.0 ± 0.25
Width (W)	mm	1.0 ± 0.05
Thickness (T)	mm	4.13 ± 0.05
Clear aperture	mm^2	11.0×0.9
Surface quality @ 633 nm		$\lambda/4$ (typically)
Back focal length (BFL) @ 808 nm	mm	0.15
Pitch	mm	0.4
Standard coating - AR	nm	790 - 990
Transmission	%	> 98
Fast axis power within an angle of ± 1.1 mrad (*)	%	> 85
Slow axis remaining divergence FW $1/e^2$	mrad	100 (typically)

Options

- Customized coating
- Bottom tab for mounting



(*) Valid for an emitter-height of 1 μm and no smile of the laser diode.

RoHS compliant
2002/95/EG

Copyright © 2011 LIMO GmbH. All rights reserved. All LIMO products are patent pending. Subject to change without notice.

Version June 22, 2018