

# Multi-Mode Collimator

Product number: ZLE000400



## General Description:

Collimator for multi-mode single emitters.

| **Advanced Optical Solutions** |

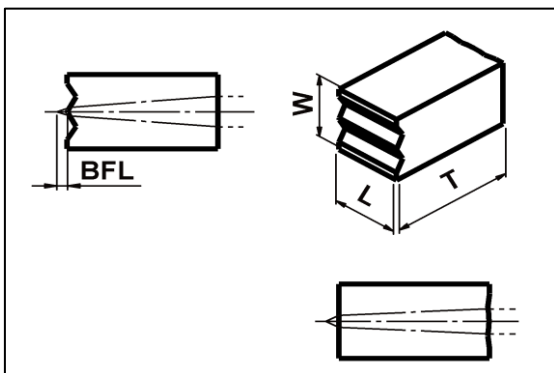
## Specification Data

	Unit	Value
Material		S-TIH53 (Ohara)
Length (L)	mm	2.0 ± 0.05
Width (W)	mm	2.0 ± 0.05
Thickness (T)	mm	3.705 ± 0.01
Clear aperture	mm <sup>2</sup>	0.75 x 0.75
Surface quality @ 633 nm		λ/4 (typically)
Refractive index n @ 808 nm		1.823
Effective focal length (EFL) for slow axis @ 808 nm	mm	2.20
Back focal length (BFL) @ 808 nm	mm	0.13
Numerical aperture (NA)		FA: 0.7 SA: 0.1 (for emitter size of 350 μm)
Standard coating - AR	nm	790 - 990
Transmission	%	> 99
Fast axis power within an angle of ± 7.5 mrad	%	> 85
Slow axis power within an angle of ± 2.2 mrad*	%	> 85

\* Slow axis data are given as measured with a single-mode emitter. With a multi-mode emitter, additional slow axis divergence is observed. Typical additional slow axis divergence is about ± 20 mrad per 100 μm emitter width. The maximum emitter width is about 350 μm.

## Options

Customized coating



**RoHS compliant**  
2002/95/EG

Copyright © 2011 LIMO GmbH. All rights reserved. All LIMO products are patent pending. Subject to change without notice.

Version December 19, 2017