

Multi-Mode Collimator for Blue

Product number: ZLE002061



General Description:

| **Advanced Optical Solutions** |

Collimator for blue multi-mode single emitters.

Specification Data

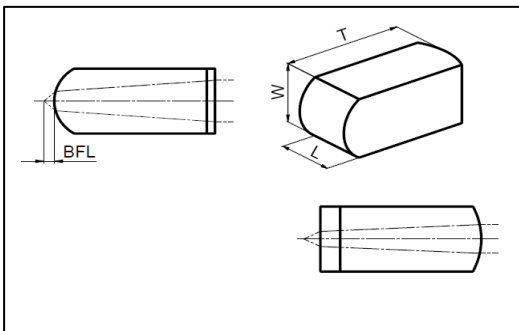
	Unit	Value
Material		S-BSL7 (Ohara)
Length (L)	mm	2.5 ± 0.05
Width (W)	mm	2.5 ± 0.05
Thickness (T)	mm	5.78 ± 0.05
Clear aperture	mm ²	1.9 x 1.9
Surface quality @ 633 nm		λ/4 (typically)
Refractive index n @ 445 nm		1.526
Effective focal length (EFL) for slow axis @ 445 nm	mm	5.02
Back focal length (BFL) @ 445 nm	mm	1.19
Numerical aperture (NA)		FA: 0.5 SA: 0.2
Standard coating - AR	nm	400 - 700
Transmission	%	> 99
Fast axis remaining divergence (FW1/e ²) - typically	mrاد	1.6 ¹
Slow axis remaining divergence (FW1/e ²) - typically	mrاد	7.0 ²

¹ emitter height 1μm

² emitter width 30μm

Options

Customized coating



RoHS compliant
2002/95/EG

Copyright © 2011 LIMO GmbH. All rights reserved. All LIMO products are patent pending. Subject to change without notice.

Version December 19, 2017