

LIMO45-F200-DL808-S3000

High Power Diode Laser



Your product benefits:

- Plug and play fiber connector
- High e/o efficiency
- Hermetically sealed housing
- 100% emitter and fiber incoming inspection
- 100% laser outgoing inspection

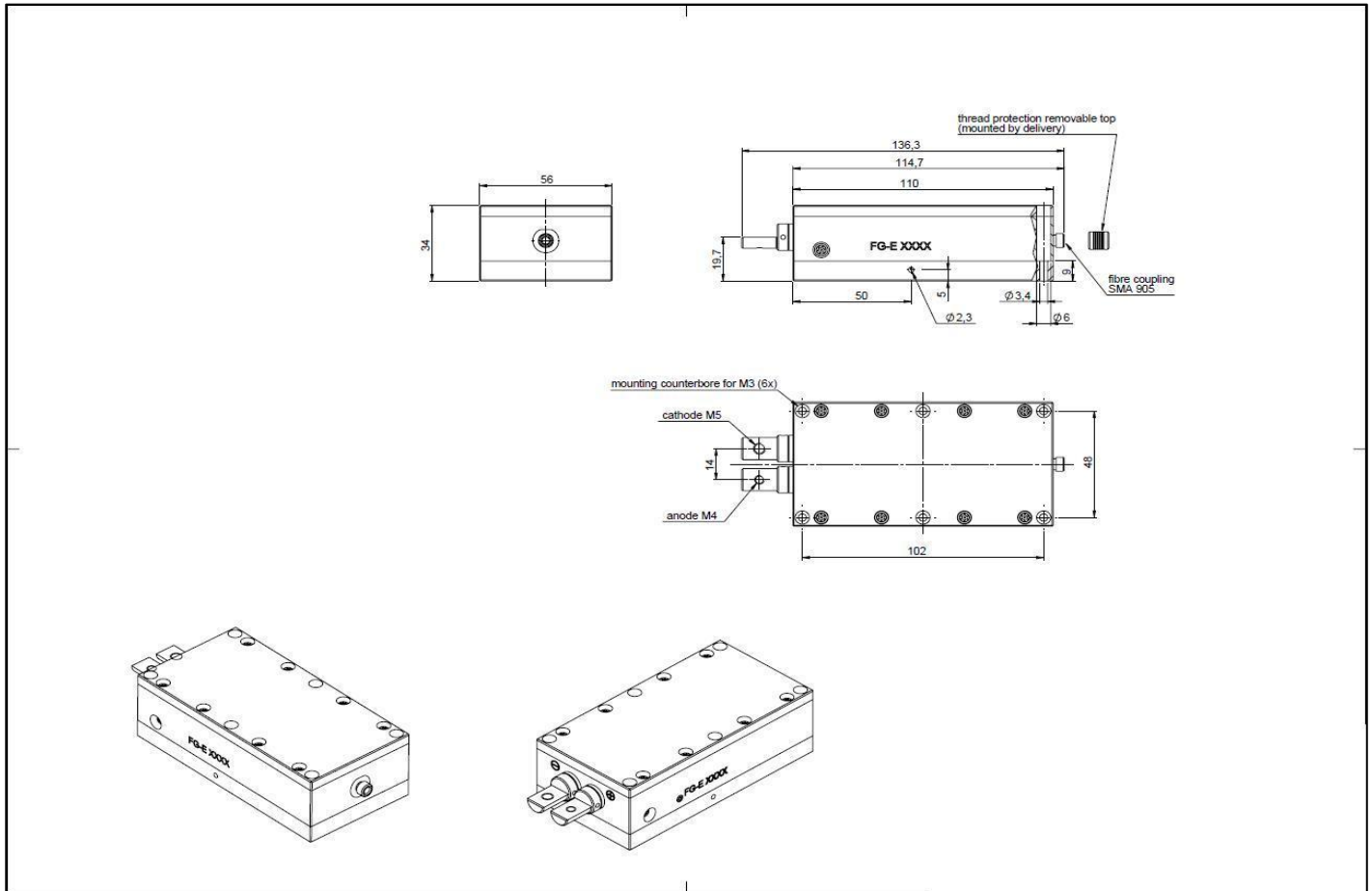
| Photonics Solutions |

LIMO laser and optics designed and engineered in Germany

Laser Module	Unit	Value	Unit	Value
Optical Data			Fiber Connection Data	
CW - nominal output power	W	45	Fiber core diameter	μm 200
Center wavelength	nm	808	Numerical aperture	0,22
Wavelength tolerance (±)	nm	3	Fiber - optic connector	SMA
Spectral width (FWHM)	nm	4	Cladding mode (max)	% not specified
Wavelength temperature drift	nm/K	0,3		
Thermal Operation Conditions			Package	
Nominal baseplate temperature	°C	20	Dimensions	mm ³ 110x56x34
Diode heat sink operation temperature	°C	+15...30	Weight basic package	kg 0,85
Minimum heat sink capacity	W	80	Storage temperature	°C -20...+60
Electrical Data				
Max. operation current start of life	A	60		
Max. operation current end of life	A	72		
Typical threshold current	A	8		
Typical operation voltage	V	2		
Typical slope	W/A	1,0		
Typical O/E efficiency	%	45		
Additional Features			Monitor Diode	
Pilot Beam			Operation voltage	V Not available
Output power (min)	mW	Not available	Output signal (min)	V Not available
Wavelength	nm	Not available	Output signal (max)	V Not available
Voltage	V	Not available		
Current (max)	mA	Not available		
Fiber Detection Sensor (PNP)			Other Features	
Voltage	V	Not available	Temperature sensors	NTC & PT100
Current (max)	mA	Not available	Wavelength stabilization	Not available
Protection Filter				
High reflection bandwidth (>99.0% s+p pol.)	nm	1030...1130		

LIMO45-F200-DL808-S3000

High Power Diode Laser



LIMO45-F200-DL808-S3000 prepared for thermoelectric cooling

All data provided are typically measured with a diode heat sink temperature of 20 °C. All measurements are made with a LIMO reference fiber 200 µm, length 1.5 m, and non AR coated.

Copyright © 2017 LIMO GmbH. All rights reserved. All LIMO products are patent pending. Subject to change without notice.

Version December 20, 2017