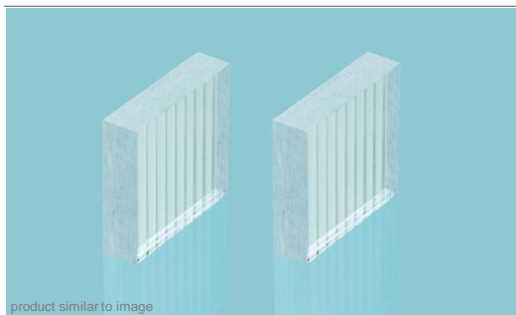


# Cylindrical Lens Array Pitch 0.5



## General Description:

Lens array with cylindrical lenses on one side.  
Top hat profiles with high homogeneity can be generated in one dimension.

## | Advanced Optical Solutions |

product similar to image

Specification Data	Unit	Value	Product No.
Material		Fused Silica	
Length (L)	mm	12.0 ± 0.1	
Width (W)	mm	12.0 ± 0.1	
Thickness (T)	mm	2.0 ± 0.1	
Clear aperture	mm <sup>2</sup>	10.0 x 10.0	
Surface quality @ 633 nm		λ/4 (typically)	
Refractive index n	@ 248 nm	1.509	
	@ 532 nm	1.461	
	@ 1064 nm	1.449	
Pitch (P)	mm	0.5	
Radius	mm	2.15 ± 0.06	ZLA000233
	mm	3.50 ± 0.11	ZLA000479
	mm	5.50 ± 0.17	ZLA000239
	mm	14.0 ± 0.42	ZLA000601
	mm	21.0 ± 0.63	ZLA001110
	mm	31.3 ± 0.94	ZLA001111
Transmission (without coating)	%	> 90	

## Overview Effective Focal Length for Different Wavelength

Product No.	Unit	@ 248 nm	@ 532 nm	@ 1064 nm
ZLA000233	mm	4.23 ± 0.13	4.67 ± 0.14	4.78 ± 0.14
ZLA000479	mm	6.88 ± 0.21	7.60 ± 0.23	7.78 ± 0.23
ZLA000239	mm	10.8 ± 0.32	11.9 ± 0.36	12.2 ± 0.37
ZLA000601	mm	27.5 ± 0.83	30.4 ± 0.91	31.1 ± 0.93
ZLA001110	mm	41.3 ± 1.2	45.6 ± 1.4	46.7 ± 1.4
ZLA001111	mm	61.6 ± 1.8	67.9 ± 2.0	69.6 ± 2.1

## Numerical Aperture of the Homogenizer for Different Wavelength [p/(2f)]

Product No.	@ 248 nm	@ 532 nm	@ 1064 nm
ZLA000233	0.0591	0.0535	0.0523
ZLA000479	0.0363	0.0329	0.0321
ZLA000239	0.0231	0.0210	0.0204
ZLA000601	0.0091	0.0082	0.0080
ZLA001110	0.0061	0.0055	0.0054
ZLA001111	0.0041	0.0037	0.0036

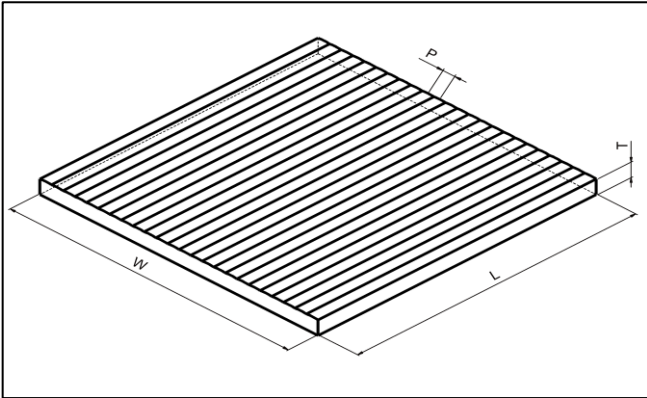
## Options

---

AR coating

Customized size

Holder



**RoHS compliant**  
2002/95/EG

Copyright © 2011 LIMO GmbH. All rights reserved. All LIMO products are patent pending. Subject to change without notice.

Version June 25, 2018