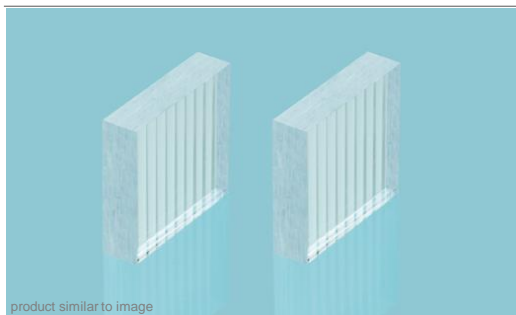


Cylindrical Lens Array Pitch 0.5



General Description:

| **Advanced Optical Solutions** |

Lens array with cylindrical lenses on one side.
Top hat profiles with high homogeneity can be generated in one dimension.

Specification Data	Unit	Value	Product No.
Material		Fused Silica	
Length (L)	mm	12.0 ± 0.1	
Width (W)	mm	12.0 ± 0.1	
Thickness (T)	mm	2.0 ± 0.1	
Clear aperture	mm ²	10.0 x 10.0	
Surface quality @ 633 nm		λ/4 (typically)	
Refractive index n @ 248 nm		1.509	
@ 532 nm		1.461	
@ 1064 nm		1.449	
Pitch (P)	mm	0.5	
Radius	mm	2.15 ± 0.06	ZLA000233
	mm	3.50 ± 0.11	ZLA000479
	mm	5.50 ± 0.17	ZLA000239
	mm	14.0 ± 0.42	ZLA000601
	mm	21.0 ± 0.63	ZLA001110
	mm	31.3 ± 0.94	ZLA001111
Transmission (without coating)	%	> 90	

Overview Effective Focal Length for Different Wavelength

Product No.	Unit	@ 248 nm	@ 532 nm	@ 1064 nm
ZLA000233	mm	4.23 ± 0.13	4.67 ± 0.14	4.78 ± 0.14
ZLA000479	mm	6.88 ± 0.21	7.60 ± 0.23	7.78 ± 0.23
ZLA000239	mm	10.8 ± 0.32	11.9 ± 0.36	12.2 ± 0.37
ZLA000601	mm	27.5 ± 0.83	30.4 ± 0.91	31.1 ± 0.93
ZLA001110	mm	41.3 ± 1.2	45.6 ± 1.4	46.7 ± 1.4
ZLA001111	mm	61.6 ± 1.8	67.9 ± 2.0	69.6 ± 2.1

Numerical Aperture of the Homogenizer for Different Wavelength [p/(2f)]

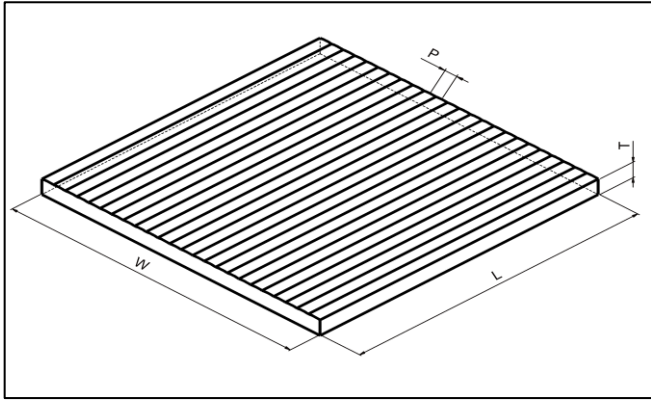
Product No.	@ 248 nm	@ 532 nm	@ 1064 nm
ZLA000233	0.0591	0.0535	0.0523
ZLA000479	0.0363	0.0329	0.0321
ZLA000239	0.0231	0.0210	0.0204
ZLA000601	0.0091	0.0082	0.0080
ZLA001110	0.0061	0.0055	0.0054
ZLA001111	0.0041	0.0037	0.0036

Options

AR coating

Customized size

Holder



RoHS compliant
2002/95/EG

Copyright © 2011 LIMO GmbH. All rights reserved. All LIMO products are patent pending. Subject to change without notice.

Version December 19, 2017