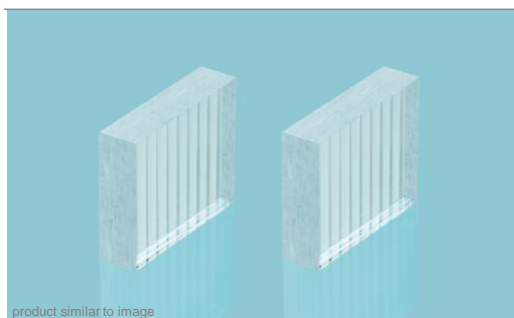


Cylindrical Lens Array Pitch 0.8



General Description:

| **Advanced Optical Solutions** |

Lens array with cylindrical lenses on one side.
Top hat profiles with high homogeneity can be generated in one dimension.

Specification Data	Unit	Value	Product No.
Material		Fused Silica	
Length (L)	mm	20.0 ± 0.1	
Width (W)	mm	20.0 ± 0.1	
Thickness (T)	mm	2.0 ± 0.1	
Clear aperture	mm ²	18.0 x 18.0	
Surface quality @ 633 nm		λ/4 (typically)	
Refractive index n @ 248 nm		1.509	
@ 532 nm		1.461	
@ 1064 nm		1.449	
Pitch (P)	mm	0.8	
Radius	mm	4.35 ± 0.13	ZLA001106
	mm	8.70 ± 0.26	ZLA001105
	mm	11.1 ± 0.33	ZLA001104
	mm	16.7 ± 0.50	ZLA001103
	mm	24.4 ± 0.73	ZLA000487
	mm	48.0 ± 1.4	ZLA001108
	mm	78.0 ± 2.3	ZLA001109
	mm	105.0 ± 3.2	ZLA001107
Transmission (without coating)	%	> 90	

Overview Effective Focal Length for Different Wavelength

Product No.	Unit	@ 248 nm	@ 532 nm	@ 1064 nm
ZLA001106	mm	8.55 ± 0.26	9.44 ± 0.28	9.67 ± 0.29
ZLA001105	mm	17.1 ± 0.51	18.9 ± 0.57	19.4 ± 0.58
ZLA001104	mm	21.8 ± 0.65	24.1 ± 0.72	24.7 ± 0.74
ZLA001103	mm	32.8 ± 0.98	36.3 ± 1.09	37.1 ± 1.11
ZLA000487	mm	48.0 ± 1.4	53.0 ± 1.6	54.3 ± 1.6
ZLA001108	mm	94.4 ± 2.8	104.2 ± 3.1	106.8 ± 3.2
ZLA001109	mm	153.4 ± 4.6	169.3 ± 5.1	173.5 ± 5.2
ZLA001107	mm	206.5 ± 6.2	227.9 ± 6.8	233.5 ± 7.0

Numerical Aperture of the Homogenizer for Different Wavelength [p/(2f)]

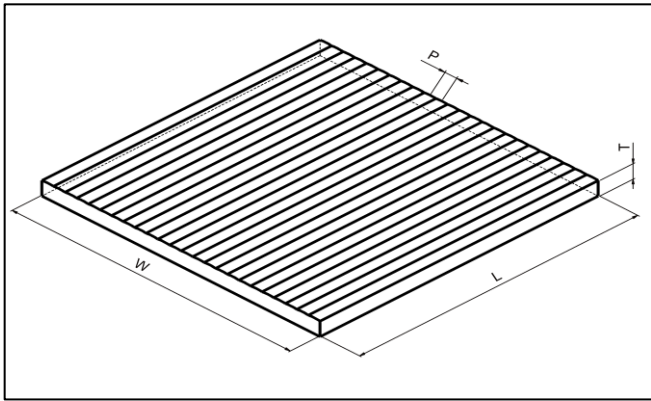
Product No.	@ 248 nm	@ 532 nm	@ 1064 nm
ZLA001106	0.0468	0.0424	0.0414
ZLA001105	0.0234	0.0212	0.0206
ZLA001104	0.0183	0.0166	0.0162
ZLA001103	0.0122	0.0110	0.0108
ZLA000487	0.0083	0.0075	0.0074
ZLA001108	0.0042	0.0038	0.0037
ZLA001109	0.0026	0.0024	0.0023
ZLA001107	0.0019	0.0018	0.0017

Options

AR coating

Customized size

Holder



RoHS compliant
2002/95/EG

Copyright © 2011 LIMO GmbH. All rights reserved. All LIMO products are patent pending. Subject to change without notice.

Version December 19, 2017