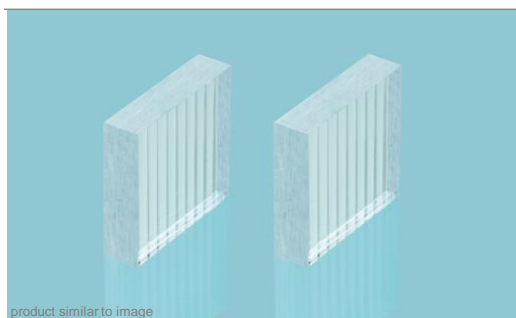


Cylindrical Lens Array Pitch 1.3



General Description:

| **Advanced Optical Solutions** |

Lens array with cylindrical lenses on one side.
Top hat profiles with high homogeneity can be generated in one dimension.

Specification Data	Unit	Value	Product No.
Material		Fused Silica	
Length (L)	mm	35.0 ± 0.1	
Width (W)	mm	35.0 ± 0.1	
Thickness (T)	mm	2.0 ± 0.1	
Clear aperture	mm ²	32.5 x 32.5	
Surface quality @ 633 nm		λ/4 (typically)	
Refractive index n @ 248 nm		1.509	
@ 532 nm		1.461	
@ 1064 nm		1.449	
Pitch (P)	mm	1.3	
Radius	mm	2.99 ± 0.09	ZLA001102
	mm	4.40 ± 0.13	ZLA000796
	mm	6.50 ± 0.20	ZLA000772
	mm	8.40 ± 0.25	ZLA000791
	mm	12.5 ± 0.38	ZLA001688
	mm	17.0 ± 0.51	ZLA001689
	mm	25.0 ± 0.75	ZLA000744
	mm	50.0 ± 1.5	ZLA000742
	mm	-50.0 ± 1.5	ZLA001101
Transmission (without coating)	%	>90	

Overview Effective Focal Length for Different Wavelength

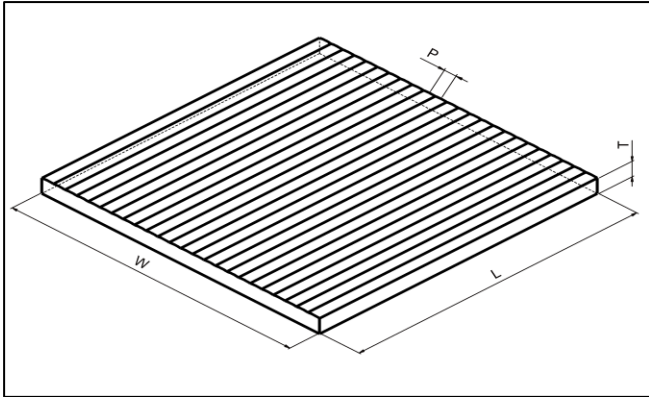
Product No.	Unit	@ 248 nm	@ 532 nm	@ 1064 nm
ZLA001102	mm	5.88 ± 0.18	6.49 ± 0.19	6.65 ± 0.20
ZLA000796	mm	8.65 ± 0.26	9.55 ± 0.29	9.79 ± 0.29
ZLA000772	mm	12.8 ± 0.38	14.1 ± 0.42	14.5 ± 0.43
ZLA000791	mm	16.5 ± 0.50	18.2 ± 0.55	18.7 ± 0.56
ZLA001688	mm	24.6 ± 0.74	27.1 ± 0.81	27.8 ± 0.83
ZLA001689	mm	33.4 ± 1.0	36.9 ± 1.1	37.8 ± 1.1
ZLA000744	mm	49.2 ± 1.5	54.3 ± 1.6	55.6 ± 1.7
ZLA000742	mm	98.3 ± 2.9	108.5 ± 3.3	111.2 ± 3.3
ZLA001101	mm	-98.3 ± 2.9	-108.5 ± 3.3	-111.2 ± 3.3

Numerical Aperture of the Homogenizer for Different Wavelength [p/(2f)]

Product No.	@ 248 nm	@ 532 nm	@ 1064 nm
ZLA001102	0.1105	0.1002	0.0977
ZLA000796	0.0751	0.0681	0.0664
ZLA000772	0.0508	0.0461	0.0448
ZLA000791	0.0394	0.0357	0.0348
ZLA001688	0.0264	0.0240	0.0234
ZLA001689	0.0195	0.0176	0.0172
ZLA000744	0.0132	0.0120	0.0117
ZLA000742	0.0066	0.0060	0.0059
ZLA001101	0.0066	0.0060	0.0059

Options

AR coating
Customized size
Holder



RoHS compliant
2002/95/EG

Copyright © 2011 LIMO GmbH. All rights reserved. All LIMO products are patent pending. Subject to change without notice.

Version December 19, 2017