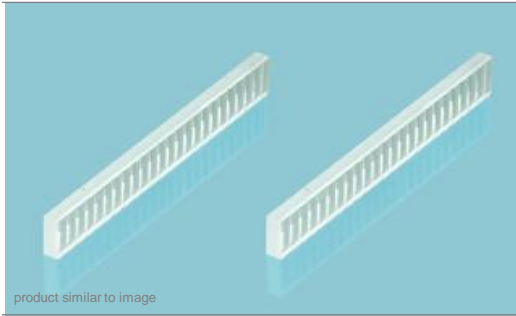


# SAC-Arrays with 500 $\mu\text{m}$ Pitch



## General Description:

## | Advanced Optical Solutions |

SAC-Arrays for the collimation of the slow axis of diode laser bars with a pitch of 500  $\mu\text{m}$ .

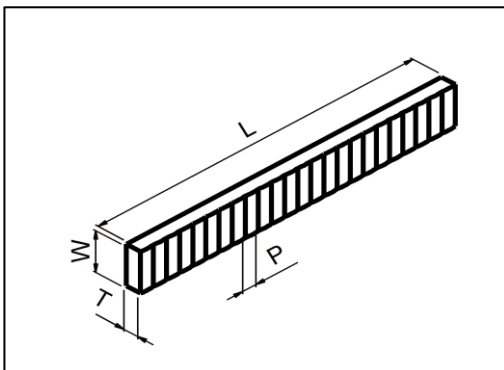
Specification Data	Unit	Value
Material		S-TIH53 (Ohara)
Length (L)	mm	12.0 $\pm$ 0.05
Width (W)	mm	1.5 $\pm$ 0.05
Clear aperture	mm <sup>2</sup>	11.0 x 1.4
Surface quality @ 633 nm		$\lambda/4$ (typically)
Refractive index n @ 808 nm		1.823
Pitch (P)	mm	0.5
Standard coating - AR	nm	790 - 990
Transmission	%	> 99

Specification Data	Unit	ZLA000566	ZLA000567	ZLA000570
Diode structure		150 / 500	100 / 500	50 / 500
Thickness (T)	mm	0.55 $\pm$ 0.01	0.55 $\pm$ 0.01	1.0 $\pm$ 0.05
Radius	mm	1.49 $\pm$ 0.03	2.37 $\pm$ 0.05	3.50 $\pm$ 0.07
Effective focal length (EFL) @ 808 nm	mm	1.81	2.88	4.25
Back focal length (BFL) @ 808 nm	mm	1.50	2.58	3.70
Numerical aperture (NA) <sup>1</sup>		0.09	0.065	0.05
Typical remaining divergence FW 1/e <sup>2</sup>	mrad	90	40	15

<sup>1</sup> The NA depends on the emitter size (50, 100 or 150  $\mu\text{m}$ )

## Options

- Customized coating
- Other dimensions
- Bottom tab for mounting



RoHS compliant  
2002/95/EG

Copyright © 2011 LIMO GmbH. All rights reserved. All LIMO products are patent pending. Subject to change without notice.

Version December 19, 2017