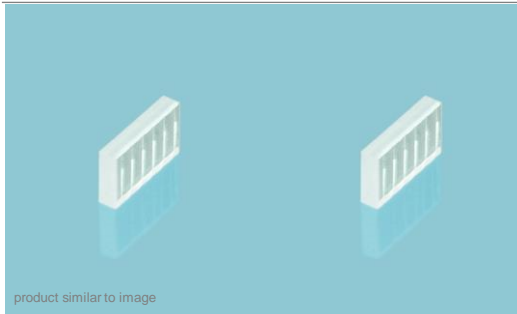


# Slow Axis Collimator Array - SACA 1000 $\mu\text{m}$ Pitch



product similar to image

## General Description:

## | Advanced Optical Solutions |

SAC-Arrays for the collimation of the slow axis of diode laser bars with a pitch of 1000  $\mu\text{m}$ .

Specification Data	Unit	ZLA002442	ZLA002282
Material		S-TIH53 (Ohara)	S-TIH53 (Ohara)
Length (L)	mm	5.8 $\pm$ 0.05	6.0 $\pm$ 0.05
Width (W)	mm	1.5 $\pm$ 0.05	1.5 $\pm$ 0.05
Thickness (T)	mm	1.0 $\pm$ 0.05	1.0 $\pm$ 0.02
Clear aperture	mm <sup>2</sup>	5.0 x 1.0	5.0 x 1.28
Pitch (P)	mm	1.0	1.0
Radius	mm	6.520	2.854
Surface quality @ 633 nm		$\lambda/4$ (typically)	$\lambda/4$ (typically)
Refractive index n @ 976 nm		1.814	1.814
Standard coating - AR	nm	790 - 990	895 - 1005
Transmission	%	> 99	> 99
Effective focal length (EFL) @ 976 nm	mm	8.01	3.50
Back focal length (BFL) @ 976 nm	mm	7.45	2.95
Numerical aperture (NA) <sup>1</sup>		0.056	0.13
Typical remaining divergence <sup>1</sup> FW 1/e <sup>2</sup>	mrad	12.5	28.5

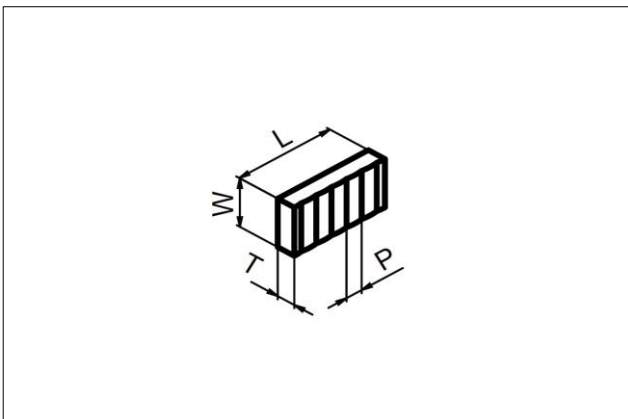
<sup>1</sup>For a 100  $\mu\text{m}$  emitter size and no smile of the laser diode

## Options

Customized coating

Other dimensions

Bottom tab for mounting



**RoHS compliant**  
2002/95/EG

Copyright © 2011 LIMO GmbH. All rights reserved. All LIMO products are patent pending. Subject to change without notice.

Version June 25, 2018